

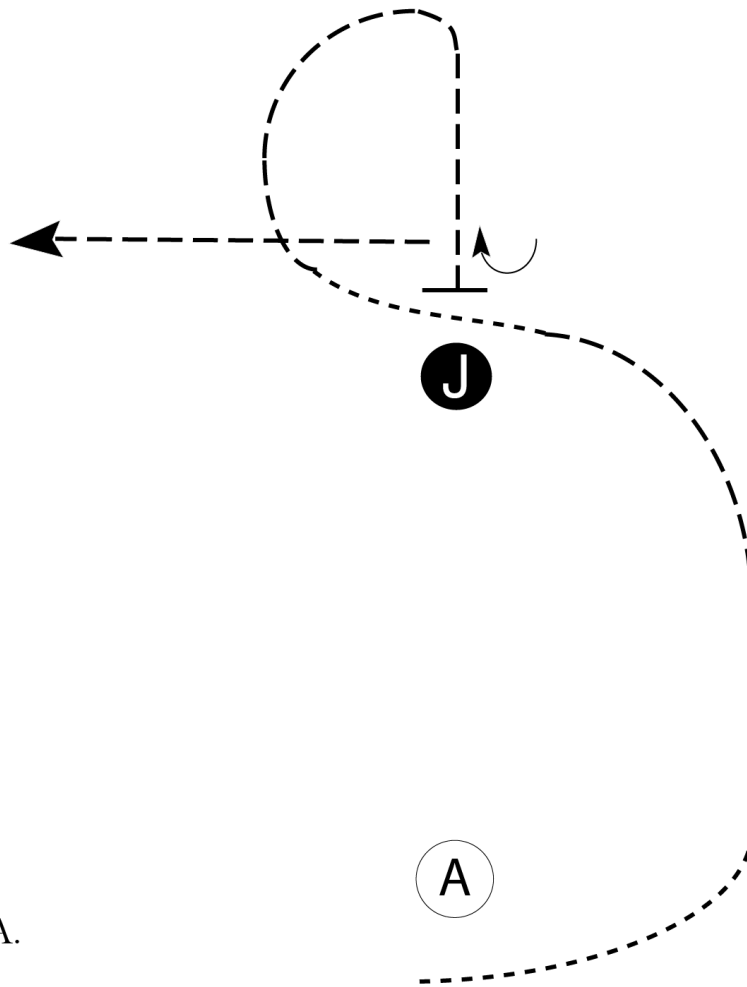
# 2024 MIHA Senior Meet 3

## Western Fitting and Showing

Show Date:

w w w . H o r s e S h o w P a t t e r n s . c o m

w w w . H o r s e S h o w P a t t e r n s . c o m



Be ready at A.

1. Walk approximately 2 horse lengths from A.
2. Trot in a half circle until just before Judge.
3. Break to walk and walk past Judge.
4. Trot in a half circle and straight to Judge as shown.
5. Stop and set up for inspection.
6. When dismissed, perform a 1/4 turn.
7. Trot to exit.

Follow the instructions of your ring steward.

Walk	-----
Trot	- - - - -
Back	← ⊃ ⊃ ⊃ ⊃
Marker	⊙ B
Judge	⊙ J

[S/1-43]

Pattern Provided by:

*MIHA Pattern Committee*

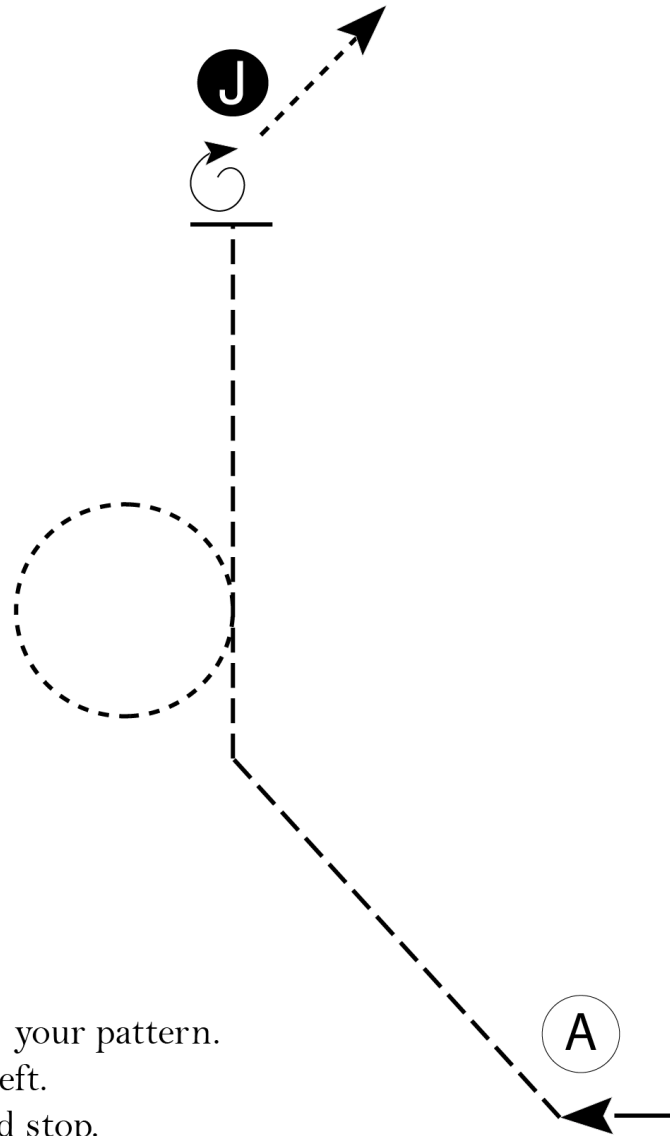
# 2024 MIHA Senior Meet 3

## Hunt Seat Fitting and Showing

Show Date:

w w w . H o r s e S h o w P a t t e r n s . c o m

w w w . H o r s e S h o w P a t t e r n s . c o m



Be ready at A.

1. Trot to the middle of your pattern.
2. Walk a circle to the left.
3. Trot to the Judge and stop.
4. Perform a 360 degree turn and set up for inspection.
5. When dismissed, exit at a walk.

Walk	-----
Trot	- - - - -
Back	← ⊃ ⊃ ⊃ ⊃
Marker	Ⓚ
Judge	Ⓝ

[S/1-107]

Pattern Provided by:  
*MIHA Pattern Committee*

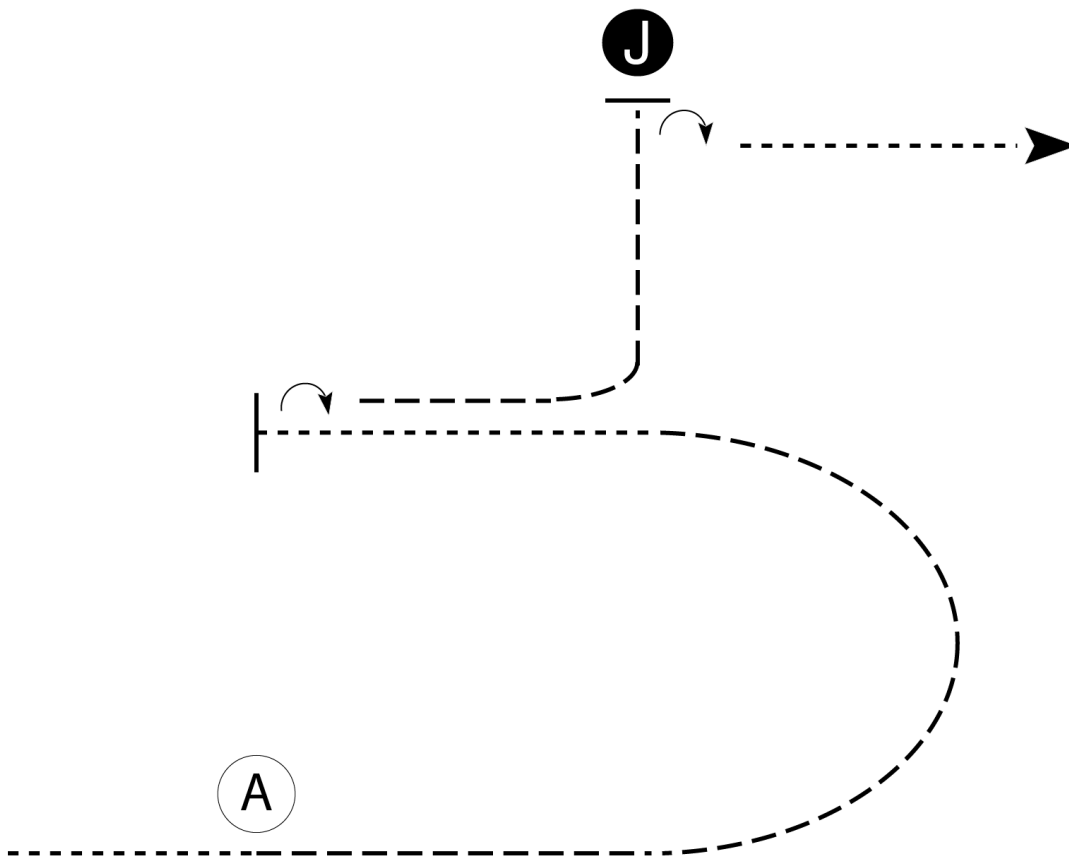
# 2024 MIHA Senior Meet 3

## Saddleseat Fitting and Showing

Show Date:

w w w . H o r s e S h o w P a t t e r n s . c o m

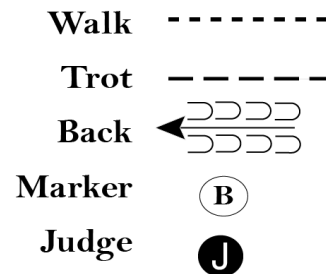
w w w . H o r s e S h o w P a t t e r n s . c o m



Be ready before A.

1. Walk to A.
2. Trot in a half circle until even with Judge.
3. Walk in a straight line until even with A.
4. Stop and perform a 1/2 turn.
5. Trot an arc to judge.
6. Stop and set up for inspection.
7. When dismissed, perform a 1/4 turn and walk straight away.

Follow the instructions of your ring steward.



[S/1-83]

Pattern Provided by:

MIHA Pattern Committee

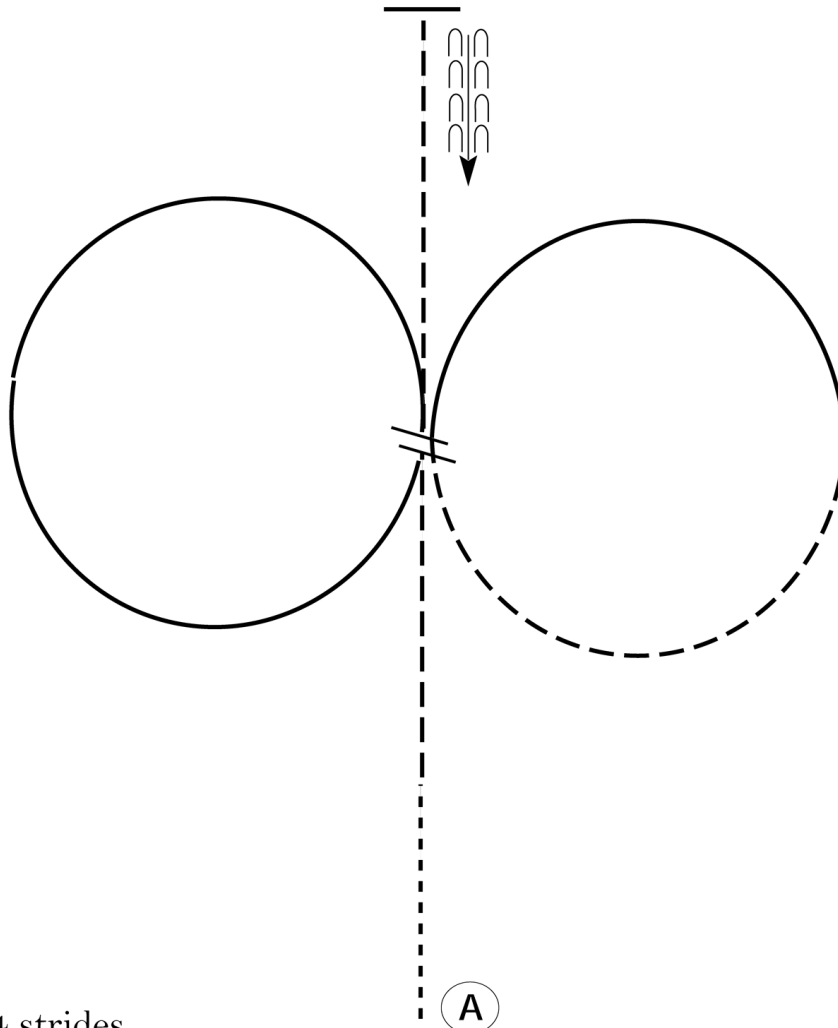
# 2024 MIHA Senior Meet 3

## Hunt Seat Equitation

Show Date:

w w w . H o r s e S h o w P a t t e r n s . c o m

w w w . H o r s e S h o w P a t t e r n s . c o m



Be ready at A.

1. Walk for 3-4 strides.
  2. Posting trot on the right diagonal for 6 strides.
  3. Canter a circle to the left.
  4. Change leads at the center.
  5. Canter a half circle to the right.
  6. Close the circle at a posting trot.
  7. When at the center, sitting trot in a straight line for 6-8 strides.
  8. Halt and back approximately one horse length.
- Follow the instructions of your ring steward.

Walk	-----
Trot	- - - - -
Extended Trot	— — — — —
Canter	—————
Leg Yield	
Lead Change	↙ ↘
Back	← ← ← ← ←
Marker	⊙
Sidepass	← — — — — →
Hand Gallop	— — — — —

[HSE/2-63]

Pattern Provided by:

*MIHA Pattern Committee*

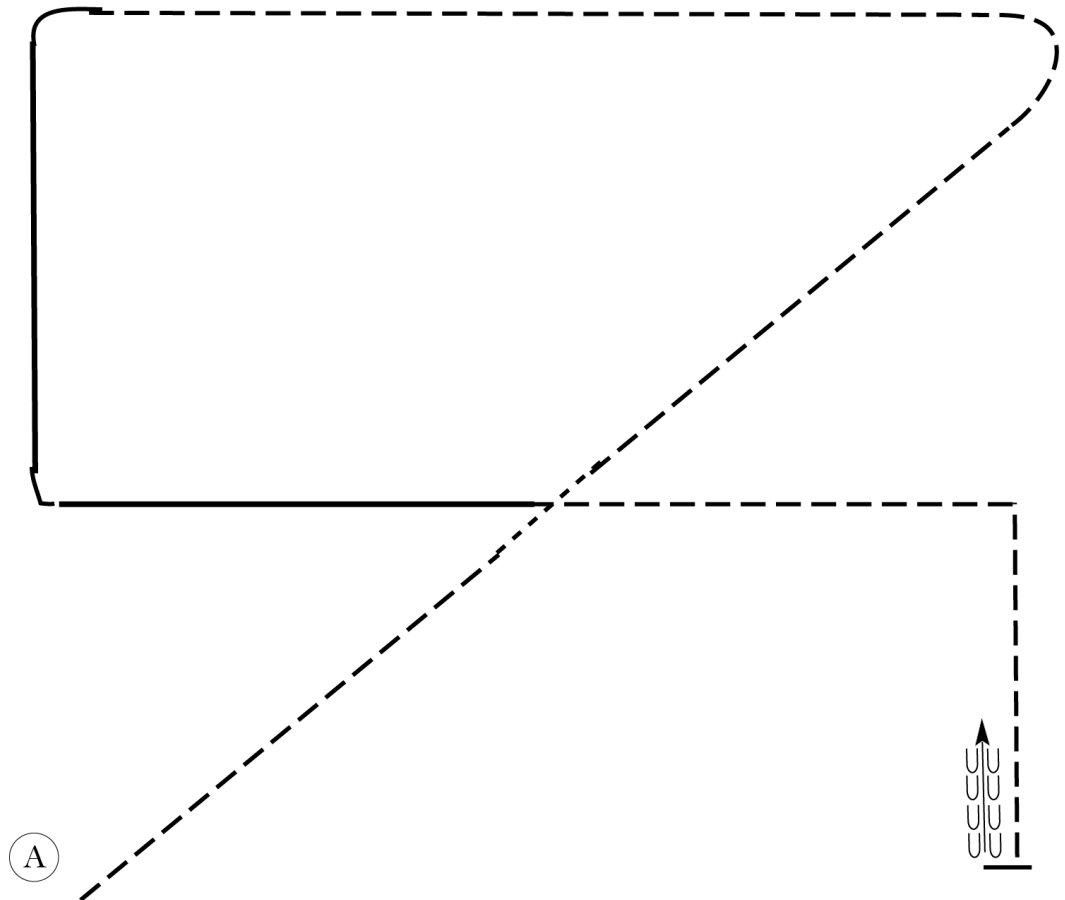
# 2024 MIHA Senior Meet 3

## Hunt Seat Bareback

Show Date:

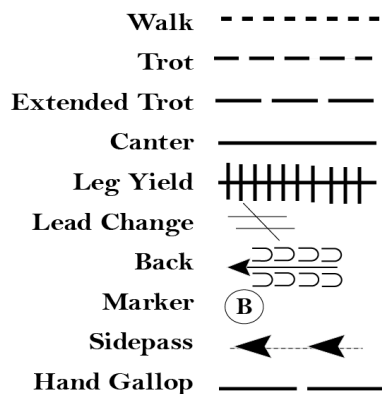
w w w . H o r s e S h o w P a t t e r n s . c o m

w w w . H o r s e S h o w P a t t e r n s . c o m



Be ready at A.

1. Trot right diagonal.
2. Walk 10 steps.
3. Trot on the left diagonal to the corner.
4. Change diagonals and trot to next corner.
5. Pick up the left lead canter and canter crossing over your line.
6. Break to a sitting trot around corner until you are in line with A.
7. Stop and back and back approximately one horse length.



[HSE/1-106]

Pattern Provided by:  
*MIHA Pattern Committee*

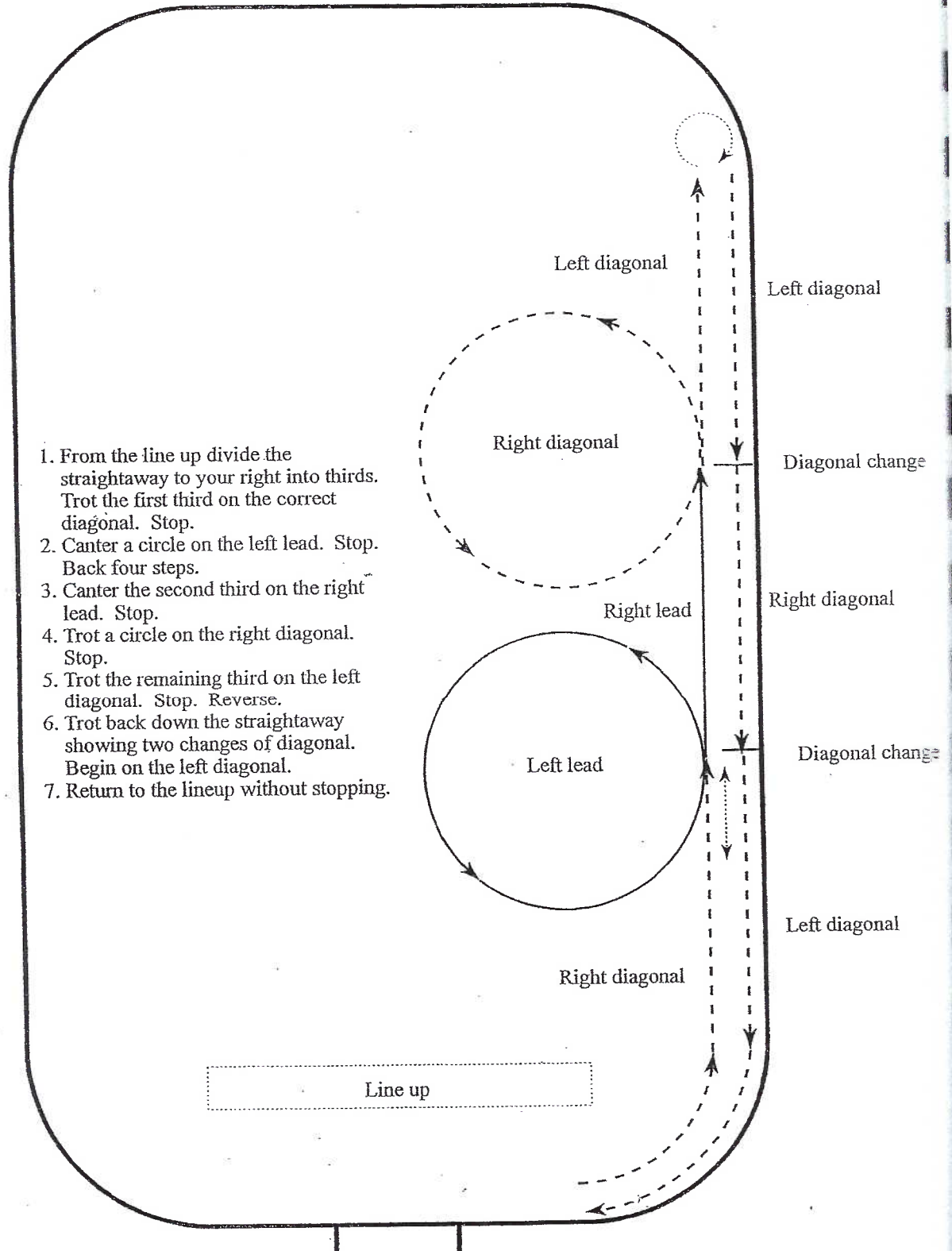
# MIHA Senior Meet 3-2024

Class Saddle Seat Equitation (Horse Show)

Class # \_\_\_\_\_

Session \_\_\_\_\_

(Date, Time) \_\_\_\_\_



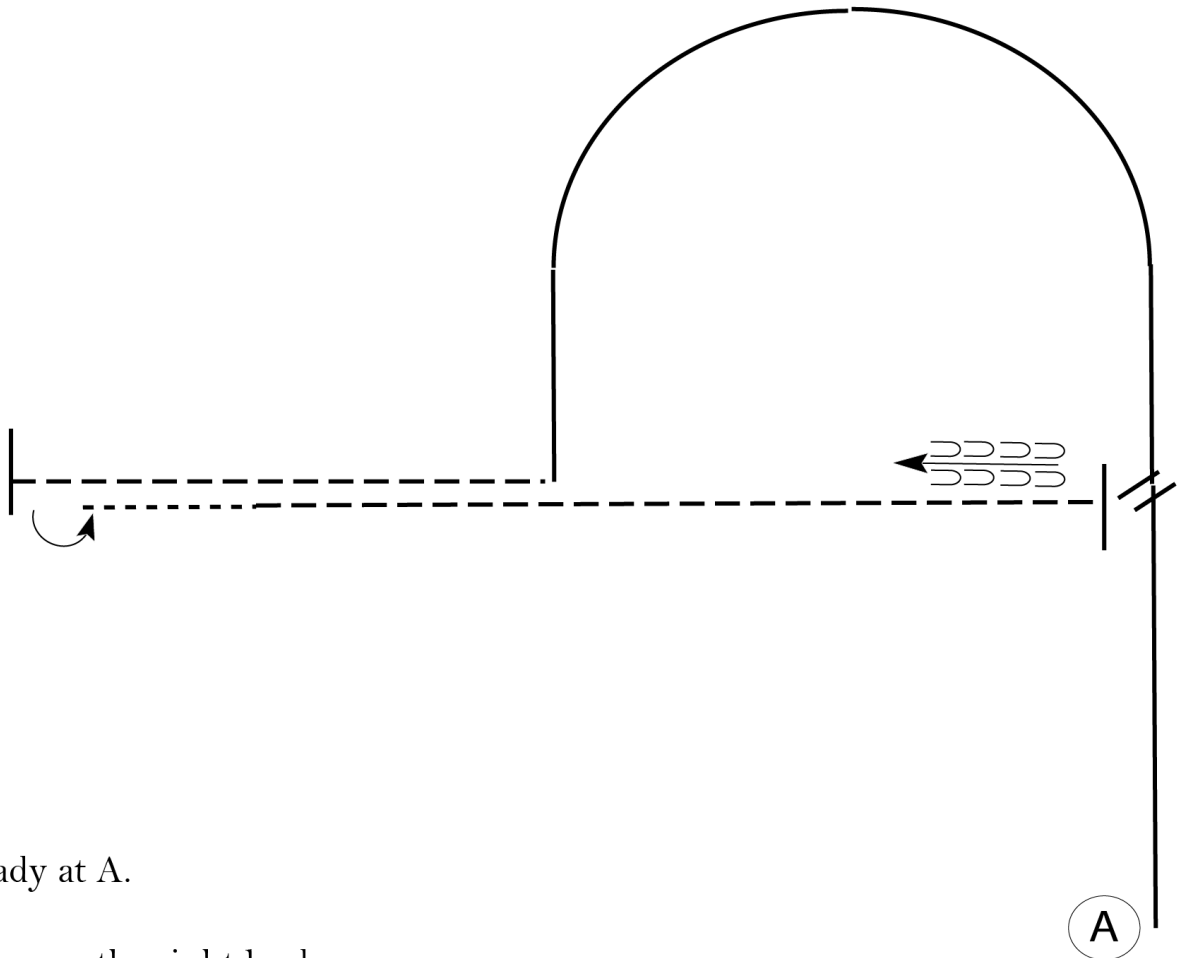
1. From the line up divide the straightaway to your right into thirds. Trot the first third on the correct diagonal. Stop.
2. Canter a circle on the left lead. Stop. Back four steps.
3. Canter the second third on the right lead. Stop.
4. Trot a circle on the right diagonal. Stop.
5. Trot the remaining third on the left diagonal. Stop. Reverse.
6. Trot back down the straightaway showing two changes of diagonal. Begin on the left diagonal.
7. Return to the lineup without stopping.



# 2024 MIHA Senior Meet 3

## Western Horsemanship

Show Date:



Be ready at A.

1. Lope on the right lead.
2. Perform a simple lead change in the middle of your line.
3. Lope in an arc to the middle of your pattern.
4. Break to a jog and jog a corner to the right.
5. Perform 1/2 turn to the left.
6. Walk halfway to middle.
7. Jog until even with A as shown.
8. Stop and back.

Walk	-----
Jog	- - - - -
Extended Jog	— — — —
Lope	—————
Lead Change	———
Back	← — — — —
Marker	ⓐ

[WH/1-112]

Pattern Provided by:

*MIHA Pattern Committee*

w w w . H o r s e S h o w P a t t e r n s . c o m

w w w . H o r s e S h o w P a t t e r n s . c o m



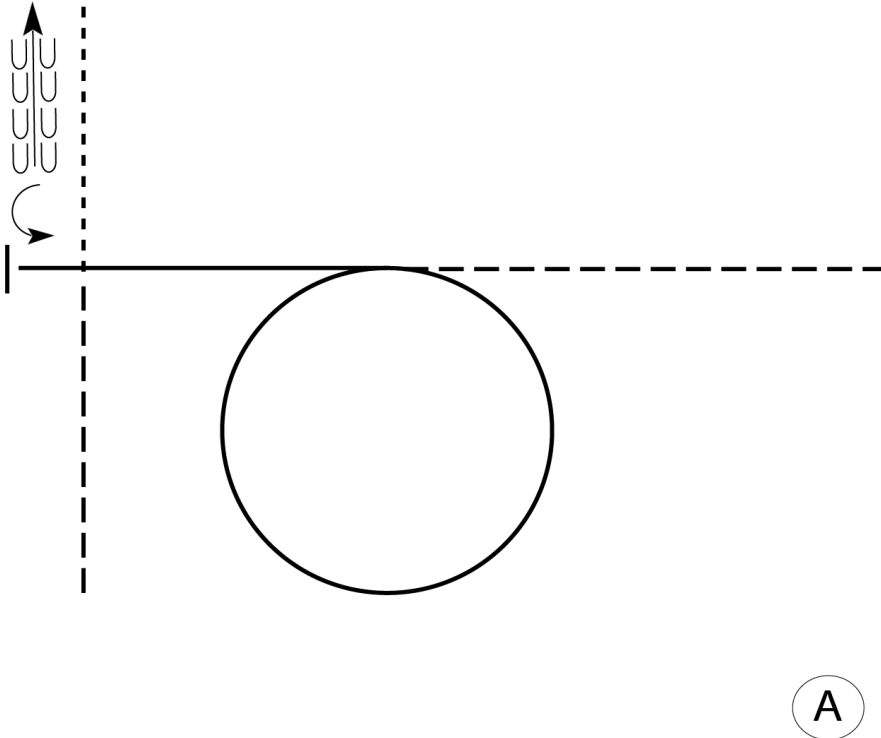
# 2024 MIHA Senior Meet 3

## Western Bareback

Show Date:

w w w . H o r s e S h o w P a t t e r n s . c o m

w w w . H o r s e S h o w P a t t e r n s . c o m



Be ready at A.

1. Perform a jog from A and a square corner toward center of pattern.
2. Lope a left lead circle.
3. Close the circle and continue loping on the left lead in a straight line.
4. Stop and perform a 1/4 turn to the left.
5. Back approximately one horse length.
6. Walk until you cross your line.
7. Exit arena at a jog.

Walk	-----
Jog	- - - - -
Extended Jog	— — — —
Lope	
Lead Change	— / —
Back	← ← ← ←
Marker	⊙ B

[WH/1-104]

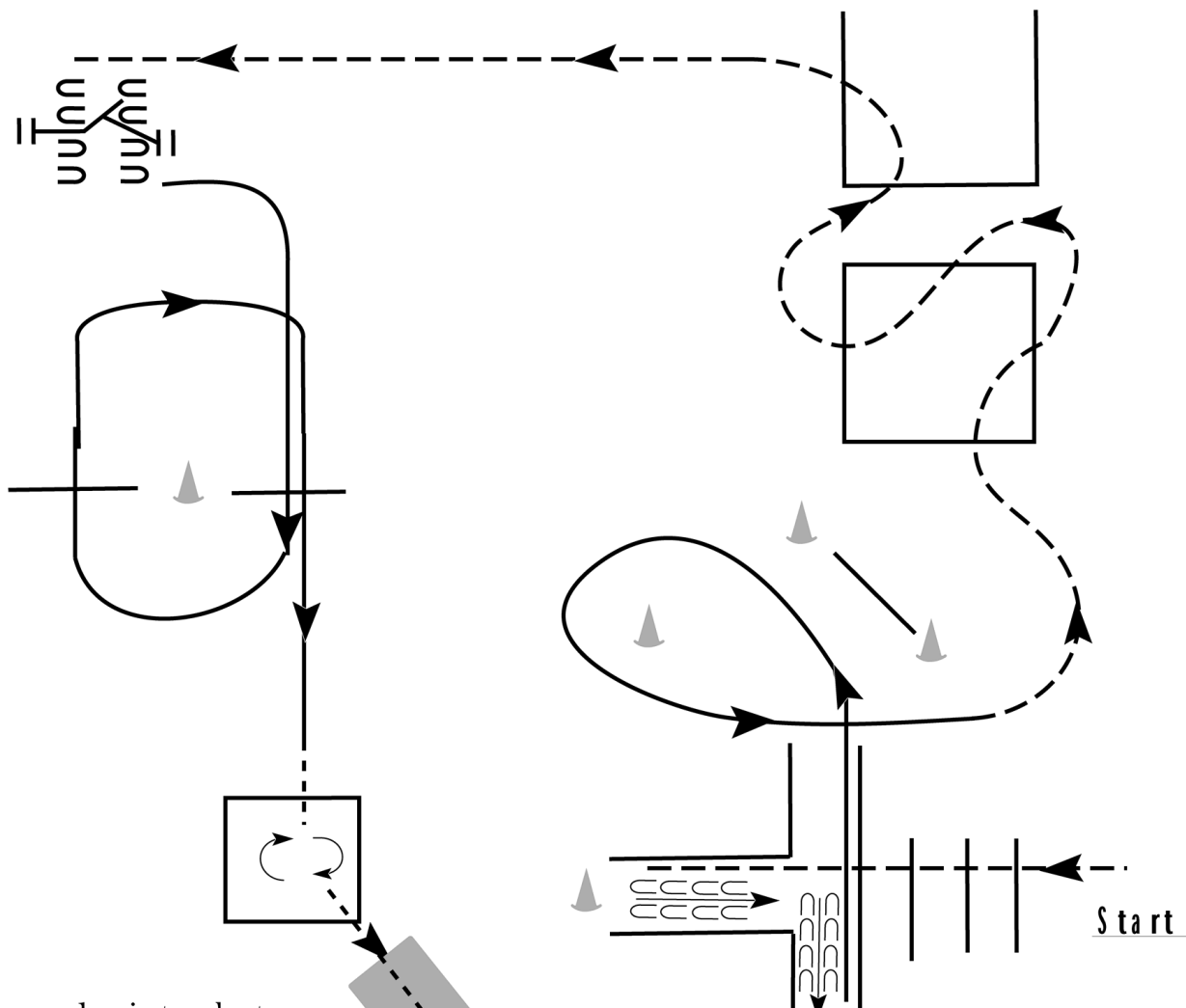
Pattern Provided by:

*MIHA Pattern Committee*

# 2024 MIHA Senior Meet 3

## Trail

Show Date:



1. Jog over poles into chute.
2. Back the L.
3. Lope out of chute and around cone on the left lead. Finish
4. Jog thru two boxes and to gate as shown.
5. Work gate with left hand.
6. Lope on the right lead over poles as shown.
7. Walk to and into box. Turn just under one full turn to the right.
8. Walk out of box and over bridge as shown.

<b>Walk</b>	-----
<b>Jog</b>	-----
<b>Extended Jog</b>	-----
<b>Lope</b>	—————
<b>Lead Change</b>	———/———
<b>Back</b>	←←←←←
<b>Marker</b>	▲
<b>Sidepass</b>	←-----→

Walk to finish

[T/2-38]

Pattern Provided by:

*MIHA Pattern Committee*

www.HorseShowPatterns.com

www.HorseShowPatterns.com